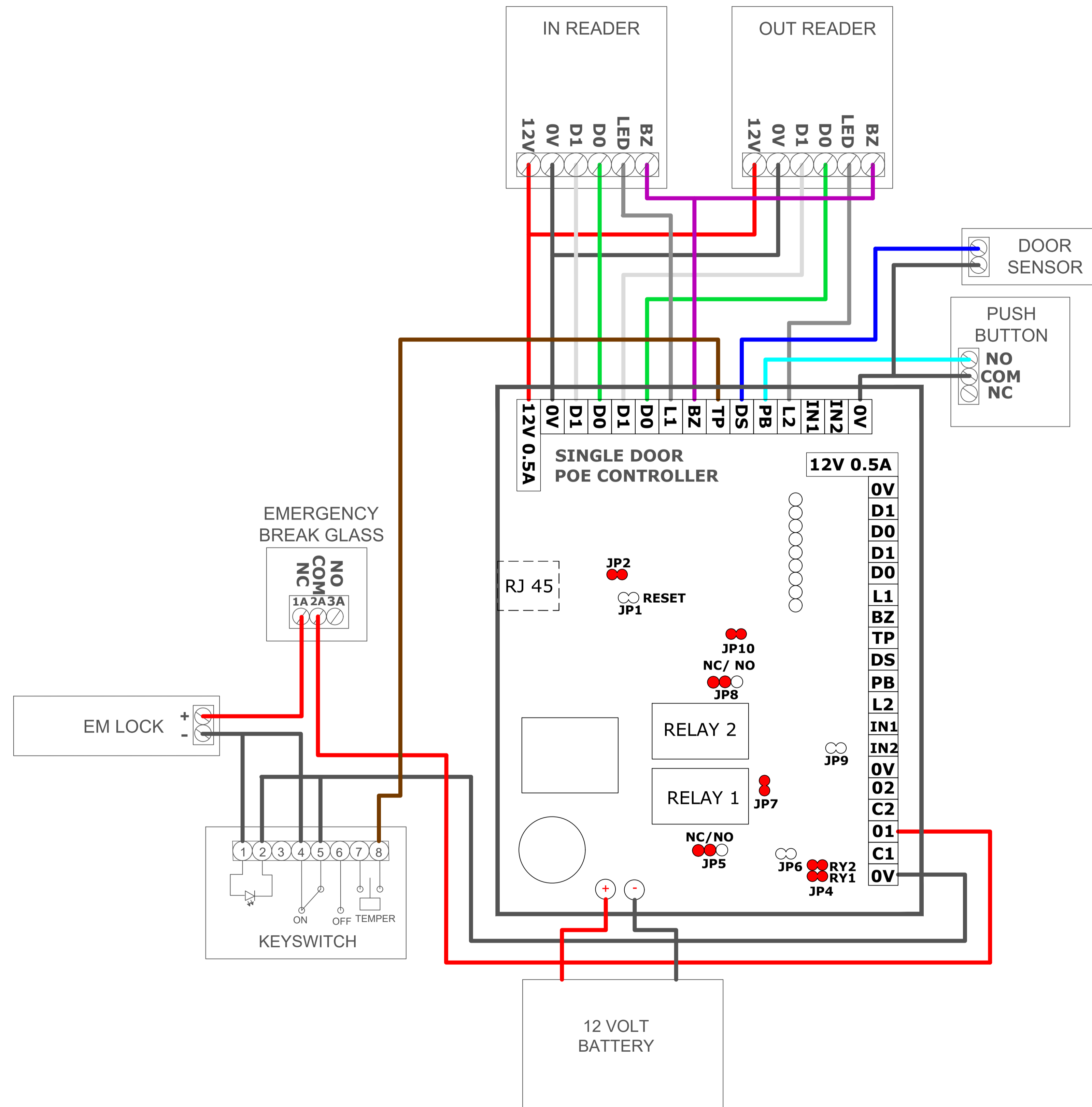


# SINGLE DOOR POE CONTROLLER



Pin	Signal	Colour
1	+12V	RED
2	0V	BLACK
3	D1	WHITE
4	D0	GREEN
5	GREEN LED	GREY
6	BUZZ	PURPLE

Pin	DIRECT CABLE	CROSS CABLE
1	WHITE-ORANGE	WHITE-GREEN
2	ORANGE	GREEN
3	WHITE-GREEN	WHITE-ORANGE
4	BLUE	BLUE
5	WHITE-BLUE	WHITE-BLUE
6	GREEN	ORANGE
7	WHITE-BROWN	WHITE-BROWN
8	BROWN	BROWN

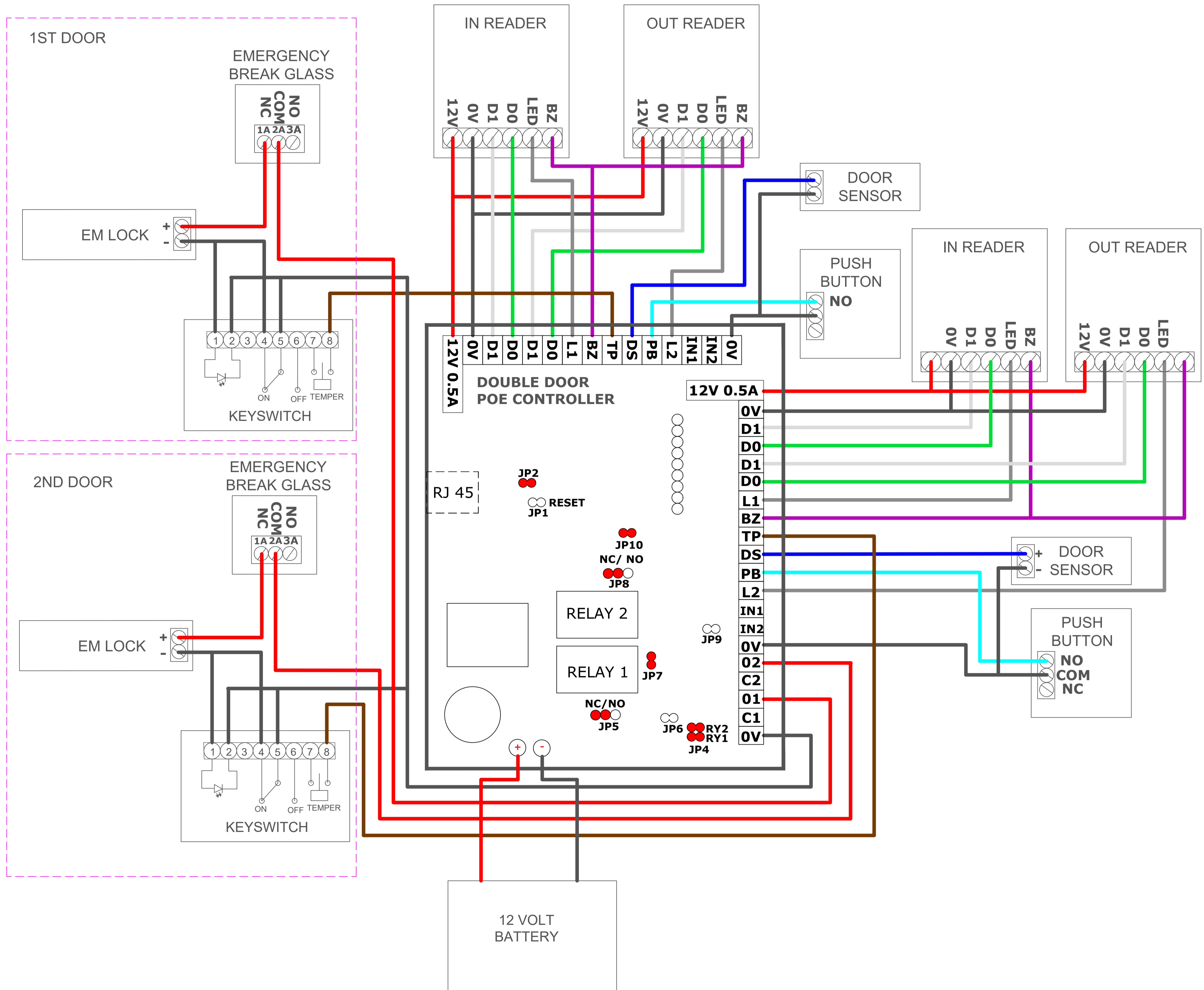
Setting	1	2
POWER-LOCK	RY1-CLOSE JP7-CLOSE JP6-OPEN	RY2-CLOSE JP10-CLOSE JP9-OPEN
DRYCONTACT-LOCK	RY1-OPEN JP7-OPEN JP6-CLOSE	RY2-OPEN JP10-OPEN JP9-CLOSE
NORMALLY OPEN	JP5 JP8	JP5 JP8

RELAY SETTING	RJ45	NOTES
JP4 is for relay 2 (RY2) SHORT JP4 is for relay 1 (RY1) SHORT	Must use with high power POE to supply the controller power to the RJ-45 Network	1. Kindly turn off the power by switching it and not by pulling the network cable.
JP5 & JP8- NO (Normally open) JP6 & JP 9 (No Jumper) JP7 & JP10 (Need Jumper)	CAT 5E CABLE	2. For 20m connection can use normal cat 5e cable, but for 30m connection please use cat 6 cable. Distance to the door 2 should not more than 30m by using cat 6 cable.

## POWER ADAPTER

12V 2A - Only for single Face Recognition device only  
 12V 5A - For More than 1 Face Recognition device  
 Input Controller supply 12V 0.5A  
 Output Controller supply 12V 2A

# DOUBLE DOOR POE CONTROLLER



READER COLOUR CODE		
1	+12V	RED
2	0V	BLACK
3	D1	WHITE
4	D0	GREEN
5	GREEN LED	GREY
6	BUZZ	PURPLE

RJ-45 COLOUR CODE		
	DIRECT CABLE	CROSS CABLE
1	WHITE-ORANGE	WHITE-GREEN
2	ORANGE	GREEN
3	WHITE-GREEN	WHITE-ORANGE
4	BLUE	BLUE
5	WHITE-BLUE	WHITE-BLUE
6	GREEN	ORANGE
7	WHITE-BROWN	WHITE-BROWN
8	BROWN	BROWN

RELAY SETTING		
	1	2
POWER-LOCK	RY1-CLOSE JP7-CLOSE JP6-OPEN	RY2-CLOSE JP10-CLOSE JP9-OPEN
DRYCONTACT-LOCK	RY1-OPEN JP7-OPEN JP6-CLOSE	RY2-OPEN JP10-OPEN JP9-CLOSE
NORMALLY OPEN	JP5 JP8	JP5 JP8

INFORMATION		
RELAY SETTING	RJ45	NOTES
JP4 is for relay 2 (RY2) SHORT JP4 is for relay 1 (RY1) SHORT	Must use with high power POE to supply the controller power to the RJ-45 Network	1. Kindly turn off the power by switching it and not by pulling the network cable.
JP5 & JP8- NO (Normally open) JP6 & JP 9 (No Jumper) JP7 & JP10 (Need Jumper)	CAT 5E CABLE	2. For 20m connection can use normal cat 5e cable, but for 30m connection please use cat 6 cable. Distance to the door 2 should not more than 30m by using cat 6 cable.

## POWER ADAPTER

12V 2A - Only for single Face Recognition device only  
 12V 5A - For More than 1 Face Recognition device  
 Input Controller supply 12V 0.5A  
 Output Controller supply 12V 2A